

D

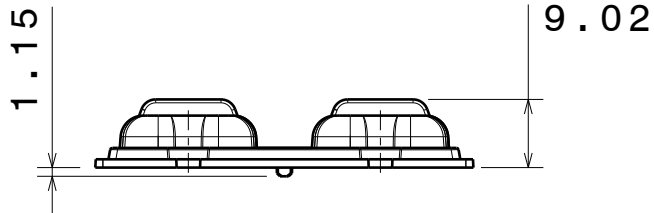
C

B

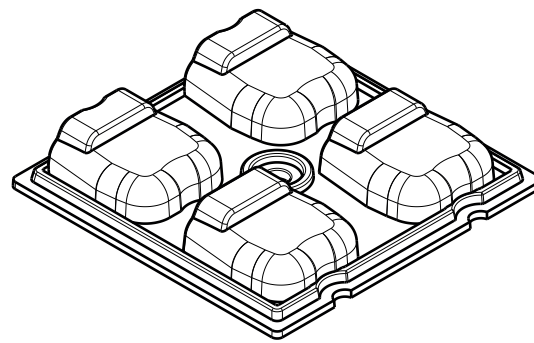
A

4

4



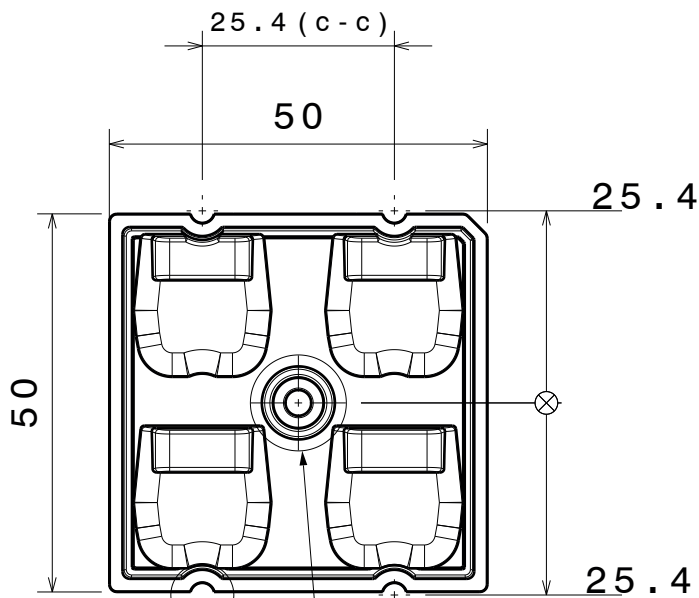
Front view



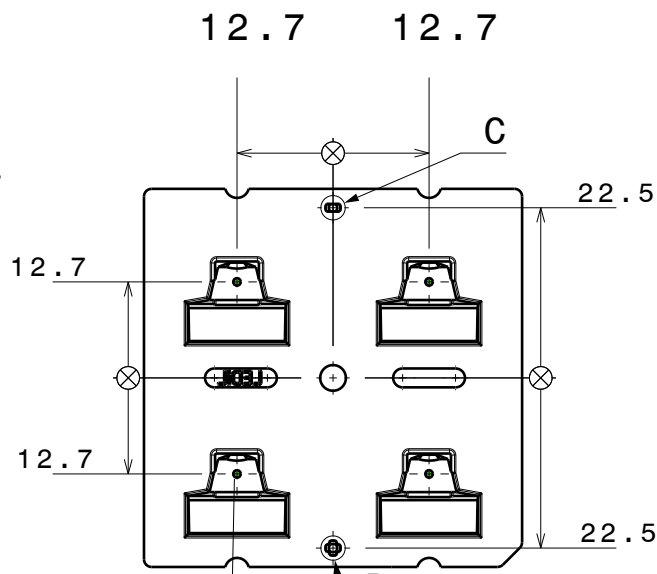
Isometric view

3

3



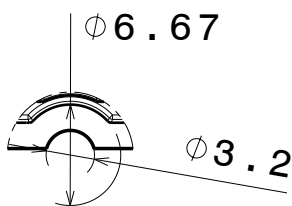
Top view



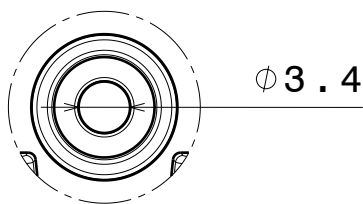
Bottom view

2

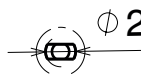
2



Detail A



Detail B



Detail C



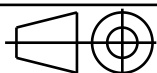
Detail D

Plastic moulding general tolerances according to DIN 16901-130 and applies if not otherwise shown in the drawing. Silicone moulding general tolerances according to ISO 3302-1 Class M3 and applies if not otherwise shown in the drawing.

LEDiL

Ledil Oy
Salorankatu 10
FIN 24240 SALO
Finland

THIRD ANGLE PROJECTION:



DRAWING TITLE

C15014_STRADA-2X2-T4-B

This drawing is the property of LEDiL Oy. It may not be reproduced, copied or communicated without a written agreement with LEDiL Oy.

SIZE PART NUMBER

A4

C15014

SCALE

1:1

WEIGHT

9,39 g

SHEET

1/1

D

A

1

1